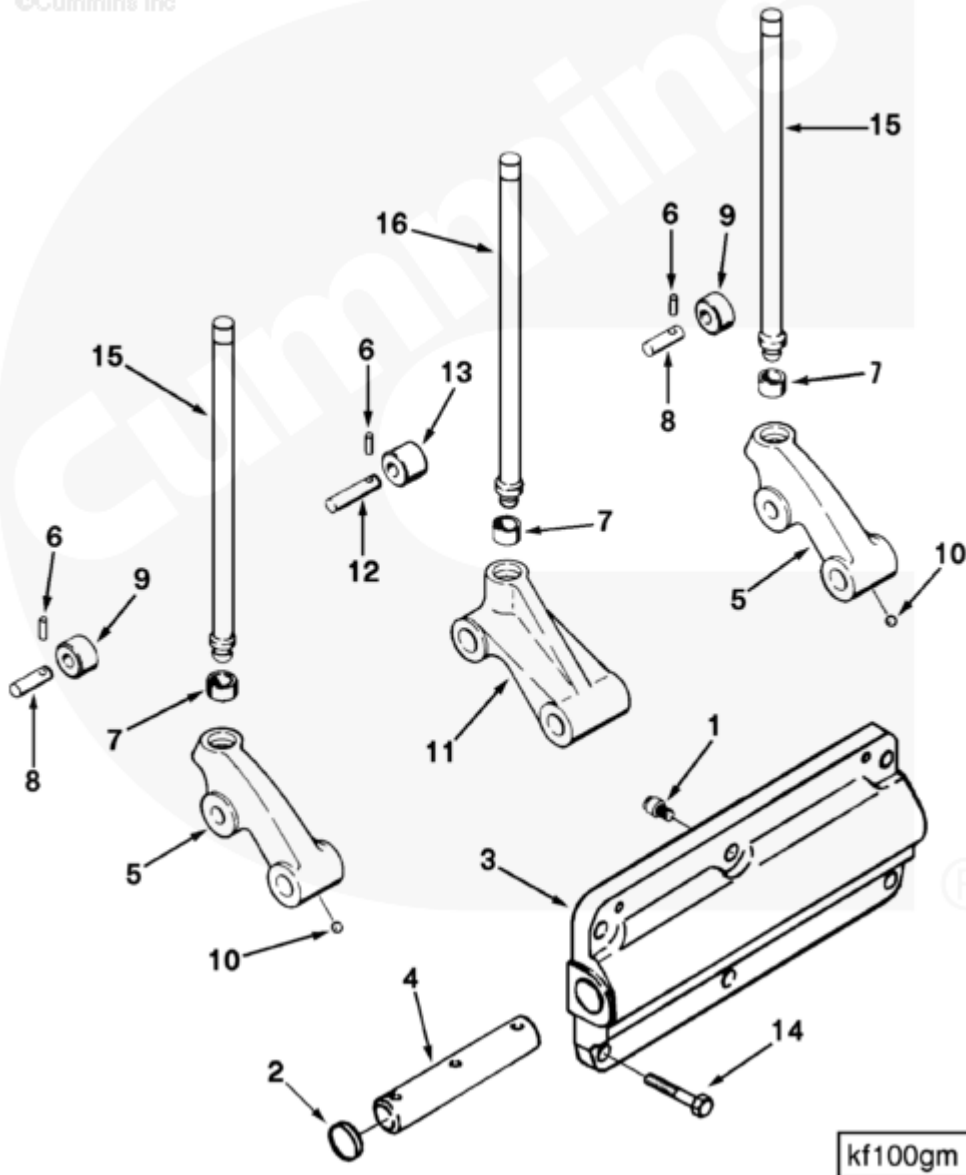




Parts Catalog - Option Detail

Electronic Parts Catalog - Option Detail				
Option	Group	Graphic	Film Card	Date
BP1126	04.01	kf100gm	F	15-SEP-94
Engines	NH/NT 855, NT495, NT743, NTA855 N106			

©Cummins Inc



SMALL | MEDIUM | LARGE

Cart	Ref No	Part Number	Part Description	Required	Remarks
View My Cart					
		BP1126	Cam Follower Housing		

					Cam Follower Housing
<input type="checkbox"/>		3081251	Cam Follower Housing	3	Recon equivalent 3081251 RX
<input type="checkbox"/>	1	69736	Cam Follower Shaft Screw	2	
<input type="checkbox"/>	2	3007634	Expansion Plug	2	
<input type="checkbox"/>	3	3016887	Cam Follower Housing	1	
<input type="checkbox"/>	4	3065125	Cam Follower Shaft	2	
	5	3056568	Cam Follower Lever	4	(3056566)
<input type="checkbox"/>	6	3064309	Roll Pin	1	
<input type="checkbox"/>	7	213559	Cam Follower Socket	1	
<input type="checkbox"/>	8	3013331	Cam Follower Roller Pin	1	
<input type="checkbox"/>	9	3036933	Cam Follower Roller	1	
<input type="checkbox"/>	10	3067941	Ball Plug	1	
<input type="checkbox"/>	11	3081250	Cam Follower Lever	2	
<input type="checkbox"/>	6	3064309	Roll Pin	1	
<input type="checkbox"/>	7	213559	Cam Follower Socket	1	
<input type="checkbox"/>	12	3013330	Cam Follower Roller Pin	1	
<input type="checkbox"/>	13	3081248	Cam Follower Roller	1	
<input type="checkbox"/>	14	S 120 A	Hexagon Head Cap Screw	15	3/8 - 24 x 7/8 inch
<input type="checkbox"/>	15	3046420	Push Rod	12	
<input type="checkbox"/>	16	3046430	Push Rod	6	